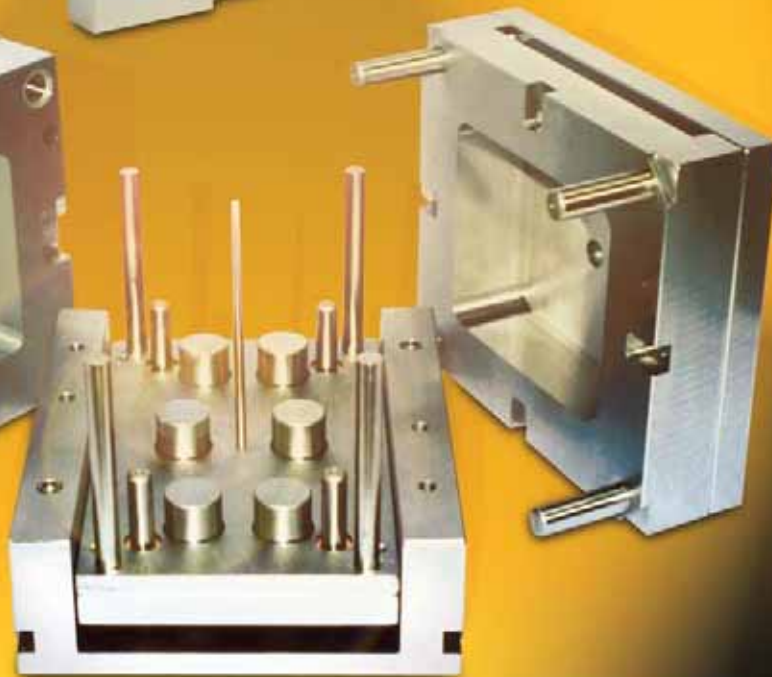


D-M-E Mold Base and Plate Services

The fastest delivery of standard mold bases, special mold bases, and contour roughed mold plates



D-M-E
Every step of the way

Table of Contents



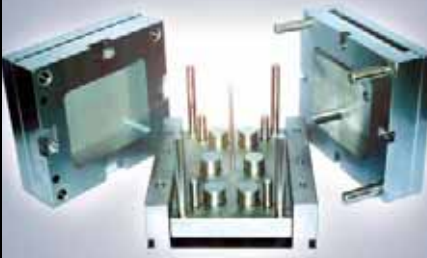
D-M-E Edge Mold Bases 15 to 22

The lowest-priced mold base on the market is in stock in 70 different sizes



Quick Delivery Standards 23 to 30

Featuring the fastest delivery of popular mold base sizes, including same-day shipments



Quick Delivery Specials 31 to 33

Special mold bases with the features you want delivered with precision and speed



Contour Roughing Services 34

Unprecedented moldmaker demand now enables D-M-E to offer the rough milling of your complex part shapes into mold plates

Online Price Guide

Go to www.dme.net/prices for the latest pricing guide.



D-M-E Edge Mold Bases

THE LOWEST-PRICED
MOLD BASE ON THE MARKET
IS IN STOCK IN
70 DIFFERENT SIZES



D-M-E Edge Mold Bases



Providing a Competitive Advantage

THE NEW EDGE MOLD BASE GIVES YOUR CUSTOMERS A COMPETITIVE ADVANTAGE

What is the "Edge" concept? It's an A-Series Mold Base with seven features in D-M-E #3 steel with a 30-40% price advantage. And with every Edge Mold Base, you get seven decades of reliable D-M-E quality-assured manufacturing capabilities that includes the absolute best service, price and delivery that will have your customers coming back for more.

D-M-E has supported moldmakers, processors and designers around the globe since it innovated the standard mold base in 1942. Today, we offer the industry's broadest range of market-leading products. In a recent Moldmaking Industry Survey, moldmakers said they needed an edge to better compete. That's why our full featured, ready-to-ship mold base is called the Edge. Essentially, moldmakers named it for us! The Edge gives you the competitive and profitability advantages that D-M-E customers demand.

As you continue to positively impact your operations through process efficiencies, technology enhancements, and automation improvements, the D-M-E Edge Mold Base is with you every step of the way by providing the value, speed and exceptional quality that customers have long expected from the industry's standard-setter in mold technologies. Even our competitors look to us as standard-setters; so much so, that today, competitors still promote their products by comparing them to ours.

Get the Edge Mold Base and you'll have another ingredient for the formula for a successful, growing business, and a partnership with the global mold technologies leader.

FREQUENTLY ASKED QUESTIONS ABOUT D-M-E

Where is the Edge Mold Base manufactured?

The D-M-E Edge Mold Base is manufactured by D-M-E's sister company located in Brazil. D-M-E has had an extensive manufacturing and distributing presence in Brazil for over 20 years. The Edge Mold Base is manufactured using the same stringent quality-assured processes and standards that have been adhered to during the manufacture of D-M-E U.S.-made mold bases for many decades. This manufacturing consistency and repeatability on every continent ensures D-M-E customers that every mold base has the quality steel and construction that makes D-M-E mold bases the highest valued mold bases throughout the world.

I make my own mold bases; can the D-M-E Edge Mold Base make me more competitive?

Yes! With our low U.S. prices, the Edge Mold Base is more than competitive when compared against in-house manufactured bases. In today's marketplace, most moldmakers don't have the luxury of having tool makers and/or apprentices make mold bases. Factoring direct labor costs alone, the D-M-E Edge Mold Base is priced so low that even the most efficient shop will save money by purchasing instead of making.

Does D-M-E offer special machining services?

Yes! D-M-E has the most comprehensive worldwide product offering for in-house machining services! Whether you need simple pocket roughing, 3D contour roughing of core and cavity blocks, or a completely finished mold base that meets your exact specifications and tolerances, D-M-E is the industry leader for complete, comprehensive special machining both locally and globally. No one in our industry offers a wider range of special machining services, and no one in our industry has the decades of machining experience and steel supplier relationships that provide our competitive advantage.

**Industry-leading D-M-E Manufacturing, Tolerances and Distribution!
Get the competitive and profitability advantage with the D-M-E Edge!**

Advantages and Features

EDGE MOLD BASE ADVANTAGES

70 different mold base assemblies ready for quick delivery

The lowest-priced mold base on the market

Most sizes available for same-day shipment

Seven popular mold base features

Reliable D-M-E quality-assured services, including manufacturing, inspection and distribution

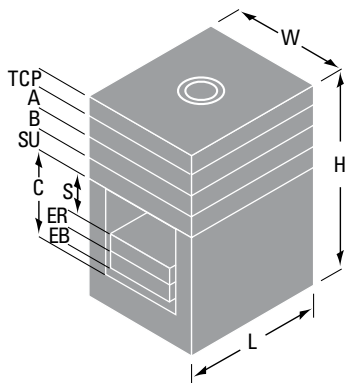


EDGE MOLD BASE FEATURES

- A-Plate, B-Plate and Support plates supplied with D-M-E #3 steel
- Pry slots installed on both sides of "B" plate
- Lift holes installed
- Return pins installed 0.125 inboard to allow for spring pockets
- Leader pin vents machined in the housing under the bushing location
- Guided ejection installed
- Three-piece ejector housing
- Center hole machining included

NOTE: See Standard & Optional Mold Base Features section for specifications regarding Edge Mold Base features.

Product Selection Tables



Variables

Below is a list of the variables for the Edge series mold bases and their definitions

W = Width

L = Length

TCP = Top clamp plate thickness

A = A plate thickness

B = B plate thickness

SU = Support plate thickness

C = Height of the riser

S = Maximum stroke of the ejector bar

H = Mold base height

EB = Ejector bar thickness

ER = Ejector retainer thickness

P = Housing riser thickness

R Px = Return pin location on the X axis (3 places)

R Py = Return pin location on the Y axis (4 places)

R Pos = Return pin offset on the X axis (1 place)

R Pg = Return pin diameter

L Pg = Leader pin diameter

7.875 × 7.875

ITEM NUMBER	W	L	A	B	C	S	H	WEIGHT (LBS)
EDA0808-07-07	7.875	7.875	0.875	0.875	2.500	0.813	7.375	111
EDA0808-13-13	7.875	7.875	1.375	1.375	2.500	0.813	8.375	129
EDA0808-17-17	7.875	7.875	1.875	1.875	2.500	0.813	9.375	147
EDA0808-23-23	7.875	7.875	2.375	2.375	3.000	1.313	10.875	167

All Items	W	7.875	EB	1.000	P	1.250	TCP	0.875	R Px	3.313	R Pg	0.500
	L	7.875	ER	0.500	SU	1.375	R Pos	3.188	R Py	1.500	L Pg	0.750

7.875 × 11.875

ITEM NUMBER	W	L	A	B	C	S	H	WEIGHT (LBS)
EDA0812-07-07	7.875	11.875	0.875	0.875	2.500	0.813	7.375	174
EDA0812-13-13	7.875	11.875	1.375	1.375	3.000	1.313	8.875	205
EDA0812-17-17	7.875	11.875	1.875	1.875	3.500	1.813	10.375	235
EDA0812-23-23	7.875	11.875	2.375	2.375	3.500	1.813	11.375	262

All Items	W	7.875	EB	1.000	P	1.250	TCP	0.875	R Px	5.313	R Pg	0.500
	L	11.875	ER	0.500	SU	1.375	R Pos	5.188	R Py	1.500	L Pg	0.750

9.875 × 8.000

ITEM NUMBER	W	L	A	B	C	S	H	WEIGHT (LBS)
EDA1008-07-07	9.875	8.000	0.875	0.875	2.500	0.813	7.375	158
EDA1008-13-13	9.875	8.000	1.375	1.375	2.500	0.813	8.875	181
EDA1008-17-17	9.875	8.000	1.875	1.875	3.500	1.813	10.875	209

All Items	W	9.875	EB	1.000	P	1.438	TCP	0.875	R Px	3.250	R Pg	0.625
	L	8.000	ER	0.500	SU	1.875	R Pos	3.125	R Py	2.250	L Pg	0.750

9.875 × 11.875

ITEM NUMBER	W	L	A	B	C	S	H	WEIGHT (LBS)
EDA1012-07-07	9.875	11.875	0.875	0.875	2.500	0.813	7.875	235
EDA1012-13-13	9.875	11.875	1.375	1.375	3.000	1.313	9.375	273
EDA1012-17-17	9.875	11.875	1.875	1.875	3.500	1.813	10.875	311
EDA1012-23-23	9.875	11.875	2.375	2.375	3.500	1.813	11.875	344

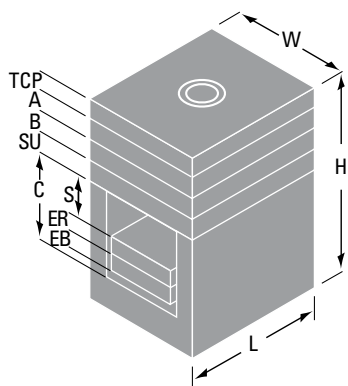
All Items	W	9.875	EB	1.000	P	1.438	TCP	0.875	R Px	5.188	R Pg	0.625
	L	11.875	ER	0.500	SU	1.875	R Pos	5.063	R Py	2.250	L Pg	0.875

9.875 × 16.000

ITEM NUMBER	W	L	A	B	C	S	H	WEIGHT (LBS)
EDA1016-07-07	9.875	16.000	0.875	0.875	2.500	0.813	7.875	316
EDA1016-13-13	9.875	16.000	1.375	1.375	3.000	1.313	9.375	367
EDA1016-17-17	9.875	16.000	1.875	1.875	3.500	1.813	10.875	418
EDA1016-23-23	9.875	16.000	2.375	2.375	3.500	1.813	11.875	463

All Items	W	9.875	EB	1.000	P	1.438	TCP	0.875	R Px	7.250	R Pg	0.625
	L	16.000	ER	0.500	SU	1.875	R Pos	7.125	R Py	2.250	L Pg	0.875

Product Selection Tables



Below is a list of the variables for the Edge series mold bases and their definitions

- W = Width
- L = Length
- TCP = Top clamp plate thickness
- A = A plate thickness
- B = B plate thickness
- SU = Support plate thickness
- C = Height of the riser
- S = Maximum stroke of the ejector bar
- H = Mold base height
- EB = Ejector bar thickness
- ER = Ejector retainer thickness
- P = Housing riser thickness
- RPx = Return pin location on the X axis (3 places)
- RPy = Return pin location on the Y axis (4 places)
- RPos = Return pin offset on the X axis (1 place)
- RPg = Return pin diameter
- LPg = Leader pin diameter

9.875 x 20.000

ITEM NUMBER	W	L	A	B	C	S	H	WEIGHT (LBS)				
EDA1020-13-13	9.875	20.000	1.375	1.375	3.000	1.313	9.375	459				
EDA1020-17-17	9.875	20.000	1.875	1.875	3.500	1.813	10.875	523				
EDA1020-23-23	9.875	20.000	2.375	2.375	3.500	1.813	11.875	579				
All Items	W 9.875	EB 1.000	P 1.438	TCP 0.875	RPx 9.250	RPg 0.625	L 20.000	ER 0.500	SU 1.875	RPos 9.125	RPy 2.250	LPg 0.875

10.875 x 12.000

ITEM NUMBER	W	L	A	B	C	S	H	WEIGHT (LBS)				
EDA1112-13-13	10.875	12.000	1.375	1.375	3.000	1.313	9.375	305				
EDA1112-17-17	10.875	12.000	1.875	1.875	3.500	1.813	10.875	347				
EDA1112-23-23	10.875	12.000	2.375	2.375	3.500	1.813	11.875	384				
All Items	W 10.875	EB 1.000	P 1.688	TCP 0.875	RPx 5.250	RPg 0.625	L 12.000	ER 0.500	SU 1.875	RPos 5.125	RPy 2.813	LPg 0.875

10.875 x 14.000

ITEM NUMBER	W	L	A	B	C	S	H	WEIGHT (LBS)				
EDA1114-13-13	10.875	14.000	1.375	1.375	3.000	1.313	9.375	355				
EDA1114-17-17	10.875	14.000	1.875	1.875	3.500	1.813	10.875	405				
EDA1114-23-23	10.875	14.000	2.375	2.375	3.500	1.813	11.875	448				
All Items	W 10.875	EB 1.000	P 1.688	TCP 0.875	RPx 6.250	RPg 0.625	L 14.000	ER 0.500	SU 1.875	RPos 6.125	RPy 2.813	LPg 0.875

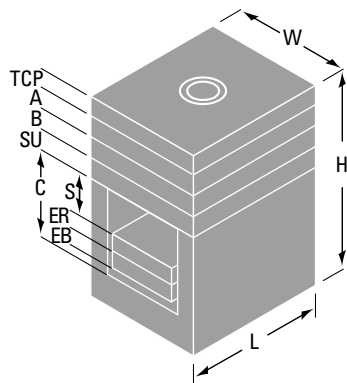
10.875 x 18.000

ITEM NUMBER	W	L	A	B	C	S	H	WEIGHT (LBS)				
EDA1118-13-13	10.875	18.000	1.375	1.375	3.000	1.313	9.375	457				
EDA1118-17-17	10.875	18.000	1.875	1.875	3.500	1.813	10.875	521				
EDA1118-23-23	10.875	18.000	2.375	2.375	3.500	1.813	11.875	576				
All Items	W 10.875	EB 1.000	P 1.688	TCP 0.875	RPx 8.250	RPg 0.625	L 18.000	ER 0.500	SU 1.875	RPos 8.125	RPy 2.813	LPg 0.875

11.875 x 12.000

ITEM NUMBER	W	L	A	B	C	S	H	WEIGHT (LBS)				
EDA1212-13-13	11.875	12.000	1.375	1.375	3.000	1.188	9.375	335				
EDA1212-17-17	11.875	12.000	1.875	1.875	3.000	1.188	10.375	375				
EDA1212-23-23	11.875	12.000	2.375	2.375	3.500	1.688	11.875	422				
EDA1212-27-27	11.875	12.000	2.875	2.875	4.000	2.188	13.375	468				
All Items	W 11.875	EB 1.125	P 1.688	TCP 0.875	RPx 5.125	RPg 0.750	L 12.000	ER 0.500	SU 1.875	RPos 5.000	RPy 3.188	LPg 1.000

Product Selection Tables



Variables

Below is a list of the variables for the Edge series mold bases and their definitions

- W = Width
- L = Length
- TCP = Top clamp plate thickness
- A = A plate thickness
- B = B plate thickness
- SU = Support plate thickness
- C = Height of the riser
- S = Maximum stroke of the ejector bar
- H = Mold base height
- EB = Ejector bar thickness
- ER = Ejector retainer thickness
- P = Housing riser thickness
- RPx = Return pin location on the X axis (3 places)
- RPy = Return pin location on the Y axis (4 places)
- RPos = Return pin offset on the X axis (1 place)
- RPg = Return pin diameter
- LPg = Leader pin diameter

11.875 x 15.000

ITEM NUMBER	W	L	A	B	C	S	H	WEIGHT (LBS)
EDA1215-13-13	11.875	15.000	1.375	1.375	3.000	1.188	9.375	419
EDA1215-17-17	11.875	15.000	1.875	1.875	3.000	1.188	10.375	469
EDA1215-23-23	11.875	15.000	2.375	2.375	3.500	1.688	11.875	527
EDA1215-27-27	11.875	15.000	2.875	2.875	4.000	2.188	13.375	584
All Items	W 11.875	EB 1.125	P 1.688	TCP 0.875	RPx 6.625	RPg 0.750		
	L 15.000	ER 0.500	SU 1.875	RPos 6.500	RPy 3.188	LPg 1.000		

11.875 x 20.000

ITEM NUMBER	W	L	A	B	C	S	H	WEIGHT (LBS)
EDA1220-13-13	11.875	20.000	1.375	1.375	3.000	1.188	9.375	558
EDA1220-17-17	11.875	20.000	1.875	1.875	3.000	1.188	10.375	625
EDA1220-23-23	11.875	20.000	2.375	2.375	3.500	1.688	11.875	702
EDA1220-27-27	11.875	20.000	2.875	2.875	4.000	2.188	13.375	779
All Items	W 11.875	EB 1.125	P 1.688	TCP 0.875	RPx 9.125	RPg 0.750		
	L 20.000	ER 0.500	SU 1.875	RPos 9.000	RPy 3.188	LPg 1.000		

13.375 x 15.000

ITEM NUMBER	W	L	A	B	C	S	H	WEIGHT (LBS)
EDA1315-13-13	13.375	15.000	1.375	1.375	3.000	1.063	9.875	505
EDA1315-17-17	13.375	15.000	1.875	1.875	3.000	1.063	10.875	562
EDA1315-23-23	13.375	15.000	2.375	2.375	3.500	1.563	12.375	627
EDA1315-27-27	13.375	15.000	2.875	2.875	4.000	2.063	13.875	692
All Items	W 13.375	EB 1.125	P 1.875	TCP 1.375	RPx 6.625	RPg 0.750		
	L 15.000	ER 0.625	SU 1.875	RPos 6.500	RPy 3.813	LPg 1.000		

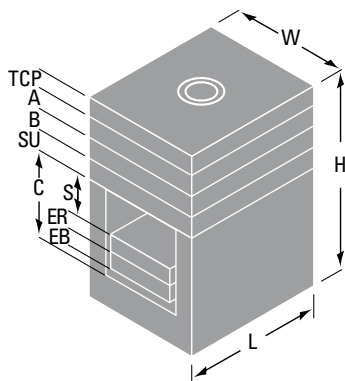
13.375 x 18.000

ITEM NUMBER	W	L	A	B	C	S	H	WEIGHT (LBS)
EDA1318-13-13	13.375	18.000	1.375	1.375	3.000	1.063	9.875	606
EDA1318-17-17	13.375	18.000	1.875	1.875	3.000	1.063	10.875	675
EDA1318-23-23	13.375	18.000	2.375	2.375	3.500	1.563	12.375	752
EDA1318-27-27	13.375	18.000	2.875	2.875	4.000	2.063	13.875	830
All Items	W 13.375	EB 1.125	P 1.875	TCP 1.375	RPx 8.125	RPg 0.750		
	L 18.000	ER 0.625	SU 1.875	RPos 8.000	RPy 3.813	LPg 1.000		

13.375 x 20.750

ITEM NUMBER	W	L	A	B	C	S	H	WEIGHT (LBS)
EDA1321-17-17	13.375	20.750	1.875	1.875	3.000	1.063	10.875	777
EDA1321-23-23	13.375	20.750	2.375	2.375	3.500	1.563	12.375	867
EDA1321-27-27	13.375	20.750	2.875	2.875	4.000	2.063	13.875	957
All Items	W 13.375	EB 1.125	P 1.875	TCP 1.375	RPx 9.500	RPg 0.750		
	L 12.750	ER 0.625	SU 1.875	RPos 9.375	RPy 3.813	LPg 1.000		

Product Selection Tables



Variables

Below is a list of the variables for the Edge series mold bases and their definitions

- W = Width
- L = Length
- TCP = Top clamp plate thickness
- A = A plate thickness
- B = B plate thickness
- SU = Support plate thickness
- C = Height of the riser
- S = Maximum stroke of the ejector bar
- H = Mold base height
- EB = Ejector bar thickness
- ER = Ejector retainer thickness
- P = Housing riser thickness
- RPx = Return pin location on the X axis (3 places)
- RPy = Return pin location on the Y axis (4 places)
- RPos = Return pin offset on the X axis (1 place)
- RPg = Return pin diameter
- LPg = Leader pin diameter

13.375 × 23.500

ITEM NUMBER	W	L	A	B	C	S	H	WEIGHT (LBS)
EDA1323-17-17	13.375	23.500	1.875	1.875	3.000	1.063	10.875	881
EDA1323-23-23	13.375	23.500	2.375	2.375	3.500	1.563	12.375	982
EDA1323-27-27	13.375	23.500	2.875	2.875	4.000	2.063	13.875	1084
All Items	W 13.375	EB 1.125	P 1.875	TCP 1.375	RPx 10.875	RPg 0.750		
	L 23.500	ER 0.625	SU 1.875	RPos 10.750	RPy 3.813	LPg 1.000		

14.875 × 17.875

ITEM NUMBER	W	L	A	B	C	S	H	WEIGHT (LBS)
EDA1518-17-17	14.875	17.875	1.875	1.875	3.500	1.563	11.875	790
EDA1518-23-23	14.875	17.875	2.375	2.375	3.500	1.563	12.875	865
EDA1518-27-27	14.875	17.875	2.875	2.875	4.000	2.063	14.375	950
All Items	W 14.875	EB 1.125	P 1.875	TCP 1.375	RPx 8.063	RPg 0.750		
	L 17.875	ER 0.625	SU 2.375	RPos 7.938	RPy 3.875	LPg 1.250		

14.875 × 23.750

ITEM NUMBER	W	L	A	B	C	S	H	WEIGHT (LBS)
EDA1524-17-17	14.875	23.750	1.875	1.875	3.500	1.563	11.875	1050
EDA1524-23-23	14.875	23.750	2.375	2.375	3.500	1.563	12.875	1150
EDA1524-27-27	14.875	23.750	2.875	2.875	4.000	2.063	14.375	1262
All Items	W 14.875	EB 1.125	P 1.875	TCP 1.375	RPx 11.000	RPg 0.750		
	L 23.750	ER 0.625	SU 2.375	RPos 10.875	RPy 3.875	LPg 1.250		

15.875 × 16.000

ITEM NUMBER	W	L	A	B	C	S	H	WEIGHT (LBS)
EDA1616-23-23	15.875	16.000	2.375	2.375	3.500	1.563	12.875	825
EDA1616-27-27	15.875	16.000	2.875	2.875	4.000	2.063	14.375	906
All Items	W 15.875	EB 1.125	P 1.875	TCP 1.375	RPx 7.125	RPg 0.750		
	L 16.000	ER 0.625	SU 2.375	RPos 7.000	RPy 4.375	LPg 1.250		

15.875 × 20.000

ITEM NUMBER	W	L	A	B	C	S	H	WEIGHT (LBS)
EDA1620-23-23	15.875	20.000	2.375	2.375	3.500	1.563	12.875	1031
EDA1620-27-27	15.875	20.000	2.875	2.875	4.000	2.063	14.375	1132
All Items	W 15.875	EB 1.125	P 1.875	TCP 1.375	RPx 9.125	RPg 0.750		
	L 20.000	ER 0.625	SU 2.375	RPos 9.000	RPy 4.375	LPg 1.250		

15.875 × 23.500

ITEM NUMBER	W	L	A	B	C	S	H	WEIGHT (LBS)
EDA1623-23-23	15.875	23.500	2.375	2.375	3.500	1.563	12.875	1212
EDA1623-27-27	15.875	23.500	2.875	2.875	4.000	2.063	14.375	1330
All Items	W 15.875	EB 1.125	P 1.875	TCP 1.375	RPx 10.875	RPg 0.750		
	L 23.500	ER 0.625	SU 2.375	RPos 10.750	RPy 4.375	LPg 1.250		

Get the Edge with D-M-E Mold Components

D-M-E has been an innovator in the development of mold technologies ever since it standardized mold base offerings in the 1940s to enable moldmakers to focus their creativity on value-added core and cavity work. D-M-E continues its innovations by introducing new mold components that complement your Edge mold base, or any D-M-E mold base, for that matter.

Here are just a few of the mold components that will give your D-M-E mold base the edge:

Pins, sleeves and blades

A comprehensive line of pins, sleeves and blades – in Inch, DIN and JIS standards – all of which undergo rigorous D-M-E quality assurance testing, are available at competitive prices with fast delivery. From straight, shoulder or keyed ejector pins to nitrided ejector sleeves and close-tolerance ejector blades to core pins, return pins and sprue puller pins, D-M-E has the products that match your application needs.

Sprue bushings and locating rings

A wide range of hardened, ground and polished sprue bushings and more than a dozen locating ring options are available from D-M-E to prepare for maximum production performance.

Mold interlocks

For precise alignment of mold halves, mold plates or individual cavities or cores, D-M-E has a large selection of mold interlocks that are a perfect fit for all of your applications. From the innovative IN2 interlocks that offer interchangeable inserts to a variety of side, top, round and rectangular interlocks, D-M-E has the products to eliminate your mold alignment concerns.

Thousands of other mold components to complement your mold base selection

D-M-E has the broadest selection of market-leading mold technologies available around the globe, with many choices within hundreds of product lines. Our proven knowledge and expertise has made D-M-E the preferred supplier to many of the world's leading companies. Check out the D-M-E Mold Components Catalog for the products that match your application needs.



Quick Delivery Standards Benefits

The QDS Advantage

- More than 3,800 popular mold base combinations available in 3 or 4 days or less
- Includes comparably sized retainer sets and mold plates
- Includes D-M-E #7 stainless steel in the A-Series mold base program (all plates and housing are stainless steel)

**Call 800-626-6653
(800-387-6600 in Canada)
by noon for guaranteed
shipment.**

D-M-E's Quick Delivery Standards (QDS™) program has expanded to offer even more sizes of mold bases, retainer sets and mold plates on a same-day, next-day, three-day or four-day basis.

Same-Day and Next-Day Shipments

The same-day and next-day shipment programs now offer 340 of the most popular A-Series mold bases in addition to rotary ground mold (RGM) plates of comparable size and thickness.

Three-Day Shipment

The new selection of three-day shipment A-Series or B-Series mold bases, cavity retainer sets, and finished or rotary ground mold plates now includes nearly 4,000 combinations.

Four-Day Shipment

The QDS program now includes A-Series mold bases in D-M-E #7 stainless steel available in four-day shipment.

With the ever-growing need for just-in-time deliveries, this expansion of the D-M-E QDS program can greatly enhance your competitive edge.

- NOTE:** A and B Series Mold Bases include:
- Optional 1-3/8 clamp plates where applicable
 - Ejector bar same length as mold base
 - Any standard leader pin length desired

Same-Day Shipment

A-Series Mold Bases



ITEM NUMBER	STANDARD CLAMP PLATE			OPTIONAL 1-3/8 CLAMP PLATE		
	STEEL			STEEL		
88A-7-7	1	2	3	1	2	—
88A-13-13	1	2	3	1	2	—
812A-13-13	1	2	—	1	2	—
108A-13-13	—	2	—	—	2	—
1114A-13-13	1	2	—	1	2	—
1016A-13-13	—	—	—	—	2	—
1114A-13-13	—	—	—	—	2	—
1215A-13-13	—	—	—	—	2	—
1315A-13-13	—	2	—	—	—	—

Supplied with catalog standard riser height (C) and leader pin length (A+B+1/2").

Next-Day Shipments

A-Series Mold Bases (and Rotary Ground Mold Plates)*

***Key for Ordering Rotary Ground Mold Plates:**

Rotary ground mold plates are available in sizes and D-M-E steel types shown. Add "RGM" to end of item number and delete "A" (example: 88A-17-27 becomes 88-17RGM or 88-27RGM depending on thickness desired).

7 7/8 x 7 7/8

ITEM NO.	STEEL	ITEM NO.	STEEL	ITEM NO.	STEEL	ITEM NO.	STEEL	ITEM NO.	STEEL	ITEM NO.	STEEL
88A-7-7	1 2 3	88A-13-7	1 2 3	88A-17-7	1 2 3	88A-23-7	1 2 3	88A-27-7	- 2 -	88A-33-7	- 2 -
88A-7-13	1 2 3	88A-13-13	1 2 3	88A-17-13	1 2 3	88A-23-13	1 2 3	88A-27-13	- 2 -	88A-33-13	- 2 -
88A-7-17	1 2 3	88A-13-17	1 2 3	88A-17-17	1 2 3	88A-23-17	1 2 3	88A-27-17	- 2 -	88A-33-17	- 2 -
88A-7-23	1 2 3	88A-13-23	1 2 3	88A-17-23	1 2 3	88A-23-23	1 2 3	88A-27-23	- 2 -	88A-33-23	- 2 -
88A-7-27	1 2 3	88A-13-27	1 2 3	88A-17-27	1 2 3	88A-23-27	1 2 3	88A-27-27	- 2 -	88A-33-27	- 2 -
								88A-27-33	- 2 -		

7 7/8 x 11 7/8

ITEM NO.	STEEL	ITEM NO.	STEEL	ITEM NO.	STEEL	ITEM NO.	STEEL	ITEM NO.	STEEL
812A-7-7	1 2 3	812A-13-7	1 2 3	812A-17-7	1 2 3	812A-23-7	1 2 3	812A-27-7	1 2 -
812A-7-13	1 2 3	812A-13-13	1 2 3	812A-17-13	1 2 3	812A-23-13	1 2 3	812A-27-13	1 2 -
812A-7-17	1 2 3	812A-13-17	1 2 3	812A-17-17	1 2 3	812A-23-17	1 2 3	812A-27-17	1 2 -
812A-7-23	1 2 3	812A-13-23	1 2 3	812A-17-23	1 2 3	812A-23-23	1 2 3	812A-27-23	1 2 -
812A-7-27	1 2 -	812A-13-27	1 2 -	812A-17-27	1 2 -	812A-23-27	1 2 -	812A-27-27	1 2 -

NOTE: Item numbers printed in blue indicate A-Series Mold Bases available same day in at least one D-M-E steel type shown (see page 24).

9 7/8 x 8"

ITEM NO.	STEEL	ITEM NO.	STEEL	ITEM NO.	STEEL	ITEM NO.	STEEL
108A-7-7	1 2 3	108A-13-7	1 2 3	108A-17-7	1 2 3	108A-23-7	- 2 3
108A-7-13	1 2 3	108A-13-13	1 2 3	108A-17-13	1 2 3	108A-23-13	- 2 3
108A-7-17	1 2 3	108A-13-17	1 2 3	108A-17-17	1 2 3	108A-23-17	- 2 3
108A-7-23	- 2 3	108A-13-23	- 2 3	108A-17-23	- 2 3	108A-23-23	- 2 3
108A-7-27	- 2 3	108A-13-27	- 2 3	108A-17-27	- 2 3	108A-23-27	- 2 3

11 7/8 x 12"

ITEM NO.	STEEL	ITEM NO.	STEEL	ITEM NO.	STEEL	ITEM NO.	STEEL
1212A-7-7	1 2	1212A-13-7	1 2	1212A-17-7	1 2	1212A-23-7	1 2
1212A-7-13	1 2	1212A-13-13	1 2	1212A-17-13	1 2	1212A-23-13	1 2
1212A-7-17	1 2	1212A-13-17	1 2	1212A-17-17	1 2	1212A-23-17	1 2
1212A-7-23	1 2	1212A-13-23	1 2	1212A-17-23	1 2	1212A-23-23	1 2
1212A-7-27	- 2	1212A-13-27	- 2	1212A-17-27	- 2	1212A-23-27	- 2

9 7/8 x 11 7/8

ITEM NO.	STEEL	ITEM NO.	STEEL	ITEM NO.	STEEL	ITEM NO.	STEEL
1114A-7-7	1 2 3	1114A-13-7	1 2 3	1114A-17-7	1 2 3	1114A-23-7	1 2 3
1114A-7-13	1 2 3	1114A-13-13	1 2 3	1114A-17-13	1 2 3	1114A-23-13	1 2 3
1114A-7-17	1 2 3	1114A-13-17	1 2 3	1114A-17-17	1 2 3	1114A-23-17	1 2 3
1114A-7-23	1 2 3	1114A-13-23	1 2 3	1114A-17-23	1 2 3	1114A-23-23	1 2 3
1114A-7-27	1 2 3	1114A-13-27	1 2 3	1114A-17-27	1 2 3	1114A-23-27	1 2 3

11 7/8 x 20"

ITEM NO.	STEEL
1220A-27-13	2
1220A-27-17	2

9 7/8 x 16"

ITEM NO.	STEEL	ITEM NO.	STEEL	ITEM NO.	STEEL	ITEM NO.	STEEL
1016A-7-7	1 2 -	1016A-13-7	1 2 -	1016A-17-7	1 2 -	1016A-23-7	1 2 -
1016A-7-13	1 2 3	1016A-13-13	1 2 3	1016A-17-13	1 2 3	1016A-23-13	1 2 -
1016A-7-17	1 2 3	1016A-13-17	1 2 3	1016A-17-17	1 2 3	1016A-23-17	1 2 -
1016A-7-23	1 2 3	1016A-13-23	1 2 3	1016A-17-23	1 2 3	1016A-23-23	1 2 -
1016A-7-27	1 2 3	1016A-13-27	1 2 3	1016A-17-27	1 2 3	1016A-23-27	1 2 -

11 7/8 x 15"

ITEM NO.	STEEL	ITEM NO.	STEEL	ITEM NO.	STEEL	ITEM NO.	STEEL
1215A-7-7	1 2	1215A-13-7	1 2	1215A-17-7	1 2	1215A-23-7	1 2
1215A-7-13	1 2	1215A-13-13	1 2	1215A-17-13	1 2	1215A-23-13	1 2
1215A-7-17	1 2	1215A-13-17	1 2	1215A-17-17	1 2	1215A-23-17	1 2
1215A-7-23	1 2	1215A-13-23	1 2	1215A-17-23	1 2	1215A-23-23	1 2
1215A-7-27	- 2	1215A-13-27	- 2	1215A-17-27	- 2	1215A-23-27	- 2

10 7/8 x 12"

ITEM NO.	STEEL	ITEM NO.	STEEL	ITEM NO.	STEEL	ITEM NO.	STEEL
1112A-7-7	1 2	1112A-13-7	1 2	1112A-17-7	1 2	1112A-23-7	1 2
1112A-7-13	1 2	1112A-13-13	1 2	1112A-17-13	1 2	1112A-23-13	1 2
1112A-7-17	1 2	1112A-13-17	1 2	1112A-17-17	1 2	1112A-23-17	1 2
1112A-7-23	1 2	1112A-13-23	1 2	1112A-17-23	1 2	1112A-23-23	1 2

13 3/8 x 15"

ITEM NO.	STEEL	ITEM NO.	STEEL	ITEM NO.	STEEL	ITEM NO.	STEEL
1315A-13-13	1 2 3	1315A-17-13	1 2 3	1315A-23-13	1 2 3	1315A-27-13	1 2 3
1315A-13-17	1 2 3	1315A-17-17	1 2 3	1315A-23-17	1 2 3	1315A-27-17	1 2 3
1315A-13-23	1 2 3	1315A-17-23	1 2 3	1315A-23-23	1 2 3	1315A-27-23	1 2 3
1315A-13-27	1 2 3	1315A-17-27	1 2 3	1315A-23-27	1 2 3	1315A-27-27	1 2 3

10 7/8 x 14"

ITEM NO.	STEEL	ITEM NO.	STEEL	ITEM NO.	STEEL	ITEM NO.	STEEL
1114A-7-7	1 2	1114A-13-7	1 2	1114A-17-7	1 2	1114A-23-7	1 2
1114A-7-13	1 2	1114A-13-13	1 2	1114A-17-13	1 2	1114A-23-13	1 2
1114A-7-17	1 2	1114A-13-17	1 2	1114A-17-17	1 2	1114A-23-17	1 2
1114A-7-23	1 2	1114A-13-23	1 2	1114A-17-23	1 2	1114A-23-23	1 2
1114A-7-27	- 2	1114A-13-27	- 2	1114A-17-27	- 2	1114A-23-27	- 2

13 3/8 x 18"

ITEM NO.	STEEL	ITEM NO.	STEEL	ITEM NO.	STEEL	ITEM NO.	STEEL
1318A-13-13	1 2 3	1318A-17-13	1 2 3	1318A-23-13	1 2 3	1318A-27-13	1 2 -
1318A-13-17	1 2 3	1318A-17-17	1 2 3	1318A-23-17	1 2 3	1318A-27-17	1 2 -
1318A-13-23	1 2 3	1318A-17-23	1 2 3	1318A-23-23	1 2 3	1318A-27-23	1 2 -
1318A-13-27	1 2 -	1318A-17-27	1 2 -	1318A-23-27	1 2 -	1318A-27-27	2 2 -

10 7/8 x 18"

ITEM NO.	STEEL	ITEM NO.	STEEL	ITEM NO.	STEEL	ITEM NO.	STEEL
1118A-7-7	1 2	1118A-13-7	1 2	1118A-17-7	1 2	1118A-23-7	1 2
1118A-7-13	1 2	1118A-13-13	1 2	1118A-17-13	1 2	1118A-23-13	1 2
1118A-7-17	1 2	1118A-13-17	1 2	1118A-17-17	1 2	1118A-23-17	1 2
1118A-7-23	1 2	1118A-13-23	1 2	1118A-17-23	1 2	1118A-23-23	1 2
1118A-7-27	- 2	1118A-13-27	- 2	1118A-17-27	- 2	1118A-23-27	- 2

13 3/8 x 20 3/4

ITEM NO.	STEEL
1321A-13-17	2

13 3/8 x 20 3/4

ITEM NO.	STEEL
1518A-13-17	2
1518A-13-23	2
1518A-17-17	2
1518A-17-23	2

13 3/8 x 20 3/4

ITEM NO.	STEEL
1616A-13-13	2
1616A-13-17	2
1616A-13-23	2
1616A-17-13	2
1616A-17-17	2
1616A-17-23	2

13 3/8 x 20 3/4

ITEM NO.	STEEL
1620A-17-17	2
1620A-17-23	2

Three-Day Shipments

A-Series Mold Bases

(B-Series, Retainer Sets, Mold Plates)**

NOTE: Item numbers printed in blue indicate A-Series Mold Bases available same day in at least one D-M-E steel type shown (see page 24).

7 7/8 x 7 7/8

ITEM NO.	STEEL	ITEM NO.	STEEL	ITEM NO.	STEEL	ITEM NO.	STEEL	ITEM NO.	STEEL	ITEM NO.	STEEL
88A-7-7	1 2 3 7	88A-13-7	1 2 3 7	88A-17-7	1 2 3 7	88A-23-7	1 2 3 7	88A-27-7	1 2 3 7	88A-33-7	- 2 - -
88A-7-13	1 2 3 7	88A-13-13	1 2 3 7	88A-17-13	1 2 3 7	88A-23-13	1 2 3 7	88A-27-13	1 2 3 7	88A-33-13	- 2 - -
88A-7-17	1 2 3 7	88A-13-17	1 2 3 7	88A-17-17	1 2 3 7	88A-23-17	1 2 3 7	88A-27-17	1 2 3 7	88A-33-17	- 2 - -
88A-7-23	1 2 3 7	88A-13-23	1 2 3 7	88A-17-23	1 2 3 7	88A-23-23	1 2 3 7	88A-27-23	1 2 3 7	88A-33-23	- 2 - -
88A-7-27	1 2 3 7	88A-13-27	1 2 3 7	88A-17-27	1 2 3 7	88A-23-27	1 2 3 7	88A-27-27	1 2 3 7	88A-33-27	- 2 - -
88A-7-33	- 2 - -	88A-13-33	- 2 - -	88A-17-33	- 2 - -	88A-23-33	- 2 - -	88A-27-33	- 2 - -	88A-33-33	- 2 - -

7 7/8 x 11 7/8

ITEM NO.	STEEL	ITEM NO.	STEEL	ITEM NO.	STEEL	ITEM NO.	STEEL	ITEM NO.	STEEL	ITEM NO.	STEEL	ITEM NO.	STEEL
812A-7-7	1 2 3 7	812A-13-7	1 2 3 7	812A-17-7	1 2 3 7	812A-23-7	1 2 3 7	812A-27-7	1 2 3 7	812A-33-7	1 2 - -	812A-37-7	- 2 - -
812A-7-13	1 2 3 7	812A-13-13	1 2 3 7	812A-17-13	1 2 3 7	812A-23-13	1 2 3 7	812A-27-13	1 2 3 7	812A-33-13	1 2 - -	812A-37-13	- 2 - -
812A-7-17	1 2 3 7	812A-13-17	1 2 3 7	812A-17-17	1 2 3 7	812A-23-17	1 2 3 7	812A-27-17	1 2 3 7	812A-33-17	1 2 - -	812A-37-17	- 2 - -
812A-7-23	1 2 3 7	812A-13-23	1 2 3 7	812A-17-23	1 2 3 7	812A-23-23	1 2 3 7	812A-27-23	1 2 3 7	812A-33-23	1 2 - -	812A-37-23	- 2 - -
812A-7-27	1 2 3 7	812A-13-27	1 2 3 7	812A-17-27	1 2 3 7	812A-23-27	1 2 3 7	812A-27-27	1 2 3 7	812A-33-27	1 2 - -	812A-37-27	- 2 - -
812A-7-33	1 2 - -	812A-13-33	1 2 - -	812A-17-33	1 2 - -	812A-23-33	1 2 - -	812A-27-33	1 2 - -	812A-33-33	1 2 - -	812A-37-33	- 2 - -
812A-7-37	- 2 - -	812A-13-37	- 2 - -	812A-17-37	- 2 - -	812A-23-37	- 2 - -	812A-27-37	- 2 - -	812A-33-37	- 2 - -	812A-37-37	- 2 - -

9 7/8 x 8"

ITEM NO.	STEEL	ITEM NO.	STEEL	ITEM NO.	STEEL	ITEM NO.	STEEL	ITEM NO.	STEEL	ITEM NO.	STEEL
108A-7-7	1 2 3 7	108A-13-7	1 2 3 7	108A-17-7	1 2 3 7	108A-23-7	1 2 3 7	108A-27-7	- 2 3 7	108A-33-7	- 2 - -
108A-7-13	1 2 3 7	108A-13-13	1 2 3 7	108A-17-13	1 2 3 7	108A-23-13	1 2 3 7	108A-27-13	- 2 3 7	108A-33-13	- 2 - -
108A-7-17	1 2 3 7	108A-13-17	1 2 3 7	108A-17-17	1 2 3 7	108A-23-17	1 2 3 7	108A-27-17	- 2 3 7	108A-33-17	- 2 - -
108A-7-23	1 2 3 7	108A-13-23	1 2 3 7	108A-17-23	1 2 3 7	108A-23-23	1 2 3 7	108A-27-23	- 2 3 7	108A-33-23	- 2 - -
108A-7-27	- 2 3 7	108A-13-27	- 2 3 7	108A-17-27	- 2 3 7	108A-23-27	- 2 3 7	108A-27-27	- 2 3 7	108A-33-27	- 2 - -
108A-7-33	- 2 - -	108A-13-33	- 2 - -	108A-17-33	- 2 - -	108A-23-33	- 2 - -	108A-27-33	- 2 - -	108A-33-33	- 2 - -

9 7/8 x 11 7/8

ITEM NO.	STEEL	ITEM NO.	STEEL	ITEM NO.	STEEL	ITEM NO.	STEEL	ITEM NO.	STEEL	ITEM NO.	STEEL	ITEM NO.	STEEL
1114A-7-7	1 2 3 7	1114A-13-7	1 2 3 7	1114A-17-7	1 2 3 7	1114A-23-7	1 2 3 7	1114A-27-7	1 2 3 7	1114A-33-7	1 2 3 -	1114A-37-7	- 2 3 -
1114A-7-13	1 2 3 7	1114A-13-13	1 2 3 7	1114A-17-13	1 2 3 7	1114A-23-13	1 2 3 7	1114A-27-13	1 2 3 7	1114A-33-13	1 2 3 -	1114A-37-13	- 2 3 -
1114A-7-17	1 2 3 7	1114A-13-17	1 2 3 7	1114A-17-17	1 2 3 7	1114A-23-17	1 2 3 7	1114A-27-17	1 2 3 7	1114A-33-17	1 2 3 -	1114A-37-17	- 2 3 -
1114A-7-23	1 2 3 7	1114A-13-23	1 2 3 7	1114A-17-23	1 2 3 7	1114A-23-23	1 2 3 7	1114A-27-23	1 2 3 7	1114A-33-23	1 2 3 -	1114A-37-23	- 2 3 -
1114A-7-27	1 2 3 7	1114A-13-27	1 2 3 7	1114A-17-27	1 2 3 7	1114A-23-27	1 2 3 7	1114A-27-27	1 2 3 7	1114A-33-27	1 2 3 -	1114A-37-27	- 2 3 -
1114A-7-33	1 2 3 -	1114A-13-33	1 2 3 -	1114A-17-33	1 2 3 -	1114A-23-33	1 2 3 -	1114A-27-33	1 2 3 -	1114A-33-33	1 2 3 -	1114A-37-33	- 2 3 -
1114A-7-37	- 2 3 -	1114A-13-37	- 2 3 -	1114A-17-37	- 2 3 -	1114A-23-37	- 2 3 -	1114A-27-37	- 2 3 -	1114A-33-37	- 2 3 -	1114A-37-37	- 2 3 -

9 7/8 x 16"

ITEM NO.	STEEL	ITEM NO.	STEEL	ITEM NO.	STEEL	ITEM NO.	STEEL	ITEM NO.	STEEL	ITEM NO.	STEEL	ITEM NO.	STEEL
1016A-7-7	1 2 3 7	1016A-13-7	1 2 3 7	1016A-17-7	1 2 3 7	1016A-23-7	1 2 3 7	1016A-27-7	1 2 3 7	1016A-33-7	- 2 - -	1016A-37-7	- 2 - -
1016A-7-13	1 2 3 7	1016A-13-13	1 2 3 7	1016A-17-13	1 2 3 7	1016A-23-13	1 2 3 7	1016A-27-13	1 2 3 7	1016A-33-13	- 2 - -	1016A-37-13	- 2 - -
1016A-7-17	1 2 3 7	1016A-13-17	1 2 3 7	1016A-17-17	1 2 3 7	1016A-23-17	1 2 3 7	1016A-27-17	1 2 3 7	1016A-33-17	- 2 - -	1016A-37-17	- 2 - -
1016A-7-23	1 2 3 7	1016A-13-23	1 2 3 7	1016A-17-23	1 2 3 7	1016A-23-23	1 2 3 7	1016A-27-23	1 2 3 7	1016A-33-23	- 2 - -	1016A-37-23	- 2 - -
1016A-7-27	1 2 3 7	1016A-13-27	1 2 3 7	1016A-17-27	1 2 3 7	1016A-23-27	1 2 3 7	1016A-27-27	1 2 3 7	1016A-33-27	- 2 - -	1016A-37-27	- 2 - -
1016A-7-33	- 2 - -	1016A-13-33	- 2 - -	1016A-17-33	- 2 - -	1016A-23-33	- 2 - -	1016A-27-33	- 2 - -	1016A-33-33	- 2 - -	1016A-37-33	- 2 - -
1016A-7-37	- 2 - -	1016A-13-37	- 2 - -	1016A-17-37	- 2 - -	1016A-23-37	- 2 - -	1016A-27-37	- 2 - -	1016A-33-37	- 2 - -	1016A-37-37	- 2 - -

9 7/8 x 20"

ITEM NO.	STEEL	ITEM NO.	STEEL	ITEM NO.	STEEL	ITEM NO.	STEEL	ITEM NO.	STEEL	ITEM NO.	STEEL
1020A-7-7	1 2 3 7	1020A-13-7	1 2 3 7	1020A-17-7	1 2 - 7	1020A-23-7	- 2 - 7	1020A-27-7	- 2 - 7	1020A-33-7	- 2 - -
1020A-7-13	1 2 3 7	1020A-13-13	1 2 3 7	1020A-17-13	1 2 - 7	1020A-23-13	- 2 - 7	1020A-27-13	- 2 - 7	1020A-33-13	- 2 - -
1020A-7-17	1 2 3 7	1020A-13-17	1 2 3 7	1020A-17-17	1 2 - 7	1020A-23-17	- 2 - 7	1020A-27-17	- 2 - 7	1020A-33-17	- 2 - -
1020A-7-23	- 2 - 7	1020A-13-23	- 2 - 7	1020A-17-23	- 2 - 7	1020A-23-23	- 2 - 7	1020A-27-23	- 2 - 7	1020A-33-23	- 2 - -
1020A-7-27	- 2 - 7	1020A-13-27	- 2 - 7	1020A-17-27	- 2 - 7	1020A-23-27	- 2 - 7	1020A-27-27	- 2 - 7	1020A-33-27	- 2 - -
1020A-7-33	- 2 - -	1020A-13-33	- 2 - -	1020A-17-33	- 2 - -	1020A-23-33	- 2 - -	1020A-27-33	- 2 - -	1020A-33-33	- 2 - -

*Three-day shipment for D-M-E #1, #2 and #3 steel types. Four-day shipment for D-M-E #7 stainless steel.

****Key for Ordering B-Series, Retainer Sets and Mold Plates:**

For B-Series Mold Bases: Replace "A" in item number with "B" (minimum "A" plate in "B" series mold base is 1-7/8; minimum "B" plate is 7/8). Example: 88B-23-13

For Cavity Retainer Sets: Delete "A" from item number shown. Example: 88-23-13

For Finish Ground Mold Plates: Delete "A" and indicate plate thickness. Example: 88-23

For Rotary Ground Mold Plates: Delete "A" and indicate plate thickness plus "RGM." Example: 88-23RGM

Plate Thickness Codes: 7 = 7/8, 13 = 1-3/8, 27 = 2-7/8, etc.

Three-Day Shipments

A-Series Mold Bases

(B-Series, Retainer Sets, Mold Plates)**

NOTE: Item numbers printed in blue indicate A-Series Mold Bases available same day in at least one D-M-E steel type shown (see page 24).

10⁷/₈ x 12"

ITEM NO.	STEEL	ITEM NO.	STEEL	ITEM NO.	STEEL	ITEM NO.	STEEL	ITEM NO.	STEEL	ITEM NO.	STEEL
1112A-7-7	1 2 3 7	1112A-13-7	1 2 3 7	1112A-17-7	1 2 3 7	1112A-23-7	1 2 3 7	1112A-27-7	- 2 3 7	1112A-33-7	- 2 - -
1112A-7-13	1 2 3 7	1112A-13-13	1 2 3 7	1112A-17-13	1 2 3 7	1112A-23-13	1 2 3 7	1112A-27-13	- 2 3 7	1112A-33-13	- 2 - -
1112A-7-17	1 2 3 7	1112A-13-17	1 2 3 7	1112A-17-17	1 2 3 7	1112A-23-17	1 2 3 7	1112A-27-17	- 2 3 7	1112A-33-17	- 2 - -
1112A-7-23	1 2 - 7	1112A-13-23	1 2 3 7	1112A-17-23	1 2 3 7	1112A-23-23	1 2 3 7	1112A-27-23	- 2 3 7	1112A-33-23	- 2 - -
1112A-7-27	- 2 3 7	1112A-13-27	- 2 3 7	1112A-17-27	- 2 3 7	1112A-23-27	- 2 3 7	1112A-27-27	- 2 3 7	1112A-33-27	- 2 - -
1112A-7-33	- 2 - -	1112A-13-33	- 2 - -	1112A-17-33	- 2 - -	1112A-23-33	- 2 - -	1112A-27-33	- 2 - -	1112A-33-33	- 2 - -

10⁷/₈ x 14"

ITEM NO.	STEEL	ITEM NO.	STEEL	ITEM NO.	STEEL	ITEM NO.	STEEL	ITEM NO.	STEEL	ITEM NO.	STEEL	ITEM NO.	STEEL
1114A-7-7	1 2 3 7	1114A-13-7	1 2 3 7	1114A-17-7	1 2 3 7	1114A-23-7	1 2 3 7	1114A-27-7	1 2 3 7	1114A-33-7	- 2 - -	1114A-37-7	- 2 - -
1114A-7-13	1 2 3 7	1114A-13-13	1 2 3 7	1114A-17-13	1 2 3 7	1114A-23-13	1 2 3 7	1114A-27-13	1 2 3 7	1114A-33-13	- 2 - -	1114A-37-13	- 2 - -
1114A-7-17	1 2 3 7	1114A-13-17	1 2 3 7	1114A-17-17	1 2 3 7	1114A-23-17	1 2 3 7	1114A-27-17	1 2 3 7	1114A-33-17	- 2 - -	1114A-37-17	- 2 - -
1114A-7-23	1 2 3 7	1114A-13-23	1 2 3 7	1114A-17-23	1 2 3 7	1114A-23-23	1 2 3 7	1114A-27-23	1 2 3 7	1114A-33-23	- 2 - -	1114A-37-23	- 2 - -
1114A-7-27	1 2 3 7	1114A-13-27	1 2 3 7	1114A-17-27	1 2 3 7	1114A-23-27	1 2 3 7	1114A-27-27	1 2 3 7	1114A-33-27	- 2 - -	1114A-37-27	- 2 - -
1114A-7-33	- 2 - -	1114A-13-33	- 2 - -	1114A-17-33	- 2 - -	1114A-23-33	- 2 - -	1114A-27-33	- 2 - -	1114A-33-33	- 2 - -	1114A-37-33	- 2 - -
1114A-7-37	- 2 - -	1114A-13-37	- 2 - -	1114A-17-37	- 2 - -	1114A-23-37	- 2 - -	1114A-27-37	- 2 - -	1114A-33-37	- 2 - -	1114A-37-37	- 2 - -

10⁷/₈ x 18"

ITEM NO.	STEEL	ITEM NO.	STEEL	ITEM NO.	STEEL	ITEM NO.	STEEL	ITEM NO.	STEEL	ITEM NO.	STEEL	ITEM NO.	STEEL
1118A-7-7	1 2 3 7	1118A-13-7	1 2 3 7	1118A-17-7	1 2 3 7	1118A-23-7	1 2 - 7	1118A-27-7	- 2 - 7	1118A-33-7	- 2 - -	1118A-37-7	- 2 - -
1118A-7-13	1 2 3 7	1118A-13-13	1 2 3 7	1118A-17-13	1 2 3 7	1118A-23-13	1 2 - 7	1118A-27-13	- 2 - 7	1118A-33-13	- 2 - -	1118A-37-13	- 2 - -
1118A-7-17	1 2 3 7	1118A-13-17	1 2 3 7	1118A-17-17	1 2 3 7	1118A-23-17	1 2 - 7	1118A-27-17	- 2 - 7	1118A-33-17	- 2 - -	1118A-37-17	- 2 - -
1118A-7-23	1 2 - 7	1118A-13-23	1 2 - 7	1118A-17-23	1 2 - 7	1118A-23-23	1 2 - 7	1118A-27-23	- 2 - 7	1118A-33-23	- 2 - -	1118A-37-23	- 2 - -
1118A-7-27	- 2 - 7	1118A-13-27	- 2 - 7	1118A-17-27	- 2 - 7	1118A-23-27	- 2 - 7	1118A-27-27	- 2 - 7	1118A-33-27	- 2 - -	1118A-37-27	- 2 - -
1118A-7-33	- 2 - -	1118A-13-33	- 2 - -	1118A-17-33	- 2 - -	1118A-23-33	- 2 - -	1118A-27-33	- 2 - -	1118A-33-33	- 2 - -	1118A-37-33	- 2 - -
1118A-7-37	- 2 - -	1118A-13-37	- 2 - -	1118A-17-37	- 2 - -	1118A-23-37	- 2 - -	1118A-27-37	- 2 - -	1118A-33-37	- 2 - -	1118A-37-37	- 2 - -

10⁷/₈ x 23¹/₂"

ITEM NO.	STEEL	ITEM NO.	STEEL	ITEM NO.	STEEL
1123A-13-13	1 2 - 7	1123A-17-13	1 2 - 7	1123A-23-13	1 2 - 7
1123A-13-17	1 2 - 7	1123A-17-17	1 2 - 7	1123A-23-17	1 2 - 7
1123A-13-23	1 2 - 7	1123A-17-23	1 2 - 7	1123A-23-23	1 2 - 7

11⁷/₈ x 12"

ITEM NO.	STEEL	ITEM NO.	STEEL	ITEM NO.	STEEL	ITEM NO.	STEEL	ITEM NO.	STEEL	ITEM NO.	STEEL	ITEM NO.	STEEL
1212A-7-7	1 2 3 7	1212A-13-7	1 2 3 7	1212A-17-7	1 2 3 7	1212A-23-7	1 2 3 7	1212A-27-7	1 2 3 7	1212A-33-7	- 2 - -	1212A-37-7	- 2 - -
1212A-7-13	1 2 3 7	1212A-13-13	1 2 3 7	1212A-17-13	1 2 3 7	1212A-23-13	1 2 3 7	1212A-27-13	1 2 3 7	1212A-33-13	- 2 3 -	1212A-37-13	- 2 - -
1212A-7-17	1 2 3 7	1212A-13-17	1 2 3 7	1212A-17-17	1 2 3 7	1212A-23-17	1 2 3 7	1212A-27-17	1 2 3 7	1212A-33-17	- 2 3 -	1212A-37-17	- 2 - -
1212A-7-23	1 2 3 7	1212A-13-23	1 2 3 7	1212A-17-23	1 2 3 7	1212A-23-23	1 2 3 7	1212A-27-23	1 2 3 7	1212A-33-23	- 2 3 -	1212A-37-23	- 2 - -
1212A-7-27	1 2 3 7	1212A-13-27	1 2 3 7	1212A-17-27	1 2 3 7	1212A-23-27	1 2 3 7	1212A-27-27	1 2 3 7	1212A-33-27	- 2 3 -	1212A-37-27	- 2 - -
1212A-7-33	- 2 3 -	1212A-13-33	- 2 3 -	1212A-17-33	- 2 3 -	1212A-23-33	- 2 3 -	1212A-27-33	- 2 3 -	1212A-33-33	- 2 3 -	1212A-37-33	- 2 - -
1212A-7-37	- 2 - -	1212A-13-37	- 2 - -	1212A-17-37	- 2 - -	1212A-23-37	- 2 - -	1212A-27-37	- 2 - -	1212A-33-37	- 2 - -	1212A-37-37	- 2 - -

11⁷/₈ x 15"

ITEM NO.	STEEL	ITEM NO.	STEEL	ITEM NO.	STEEL	ITEM NO.	STEEL	ITEM NO.	STEEL	ITEM NO.	STEEL	ITEM NO.	STEEL
1215A-7-7	1 2 3 7	1215A-13-7	1 2 3 7	1215A-17-7	1 2 3 7	1215A-23-7	1 2 3 7	1215A-27-7	1 2 3 7	1215A-33-7	1 2 3 -	1215A-37-7	1 2 3 -
1215A-7-13	1 2 3 7	1215A-13-13	1 2 3 7	1215A-17-13	1 2 3 7	1215A-23-13	1 2 3 7	1215A-27-13	1 2 3 7	1215A-33-13	1 2 3 -	1215A-37-13	1 2 3 -
1215A-7-17	1 2 3 7	1215A-13-17	1 2 3 7	1215A-17-17	1 2 3 7	1215A-23-17	1 2 3 7	1215A-27-17	1 2 3 7	1215A-33-17	1 2 3 -	1215A-37-17	1 2 3 -
1215A-7-23	1 2 3 7	1215A-13-23	1 2 3 7	1215A-17-23	1 2 3 7	1215A-23-23	1 2 3 7	1215A-27-23	1 2 3 7	1215A-33-23	1 2 3 -	1215A-37-23	1 2 3 -
1215A-7-27	1 2 3 7	1215A-13-27	1 2 3 7	1215A-17-27	1 2 3 7	1215A-23-27	1 2 3 7	1215A-27-27	1 2 3 7	1215A-33-27	1 2 3 -	1215A-37-27	1 2 3 -
1215A-7-33	1 2 3 -	1215A-13-33	1 2 3 -	1215A-17-33	1 2 3 -	1215A-23-33	1 2 3 -	1215A-27-33	1 2 3 -	1215A-33-33	1 2 3 -	1215A-37-33	1 2 3 -
1215A-7-37	1 2 3 -	1215A-13-37	1 2 3 -	1215A-17-37	1 2 3 -	1215A-23-37	1 2 3 -	1215A-27-37	1 2 3 -	1215A-33-37	1 2 3 -	1215A-37-37	1 2 3 -

*Three-day shipment for D-M-E #1, #2 and #3 steel types. Four-day shipment for D-M-E #7 stainless steel.

****Key for Ordering B-Series, Retainer Sets and Mold Plates:**

For B-Series Mold Bases: Replace "A" in item number with "B" (minimum "A" plate in "B" series mold base is 1-7/8; minimum "B" plate is 7/8).

Example: 88B-23-13

For Cavity Retainer Sets: Delete "A" from item number shown. Example: 88-23-13

For Finish Ground Mold Plates: Delete "A" and indicate plate thickness. Example: 88-23

For Rotary Ground Mold Plates: Delete "A" and indicate plate thickness plus "RGM." Example: 88-23RGM

Plate Thickness Codes: 7 = 7/8, 13 = 1-3/8, 27 = 2-7/8, etc.

Three-Day Shipments

A-Series Mold Bases

(B-Series, Retainer Sets, Mold Plates)**

NOTE: Item numbers printed in blue indicate A-Series Mold Bases available same day in at least one D-M-E steel type shown (see page 24).

1 1/8" x 20"

ITEM NO.	STEEL	ITEM NO.	STEEL	ITEM NO.	STEEL	ITEM NO.	STEEL	ITEM NO.	STEEL	ITEM NO.	STEEL	ITEM NO.	STEEL
1220A-7-7	1 2 3 7	1220A-13-7	1 2 3 7	1220A-17-7	1 2 3 7	1220A-23-7	- 2 3 7	1220A-27-7	- 2 3 7	1220A-33-7	- 2 3 -	1220A-37-7	- 2 3 -
1220A-7-13	1 2 3 7	1220A-13-13	1 2 3 7	1220A-17-13	1 2 3 7	1220A-23-13	- 2 3 7	1220A-27-13	- 2 3 7	1220A-33-13	- 2 3 -	1220A-37-13	- 2 3 -
1220A-7-17	1 2 3 7	1220A-13-17	1 2 3 7	1220A-17-17	1 2 3 7	1220A-23-17	- 2 3 7	1220A-27-17	- 2 3 7	1220A-33-17	- 2 3 -	1220A-37-17	- 2 3 -
1220A-7-23	- 2 3 7	1220A-13-23	- 2 3 7	1220A-17-23	- 2 3 7	1220A-23-23	- 2 3 7	1220A-27-23	- 2 3 7	1220A-33-23	- 2 3 -	1220A-37-23	- 2 3 -
1220A-7-27	- 2 3 7	1220A-13-27	- 2 3 7	1220A-17-27	- 2 3 7	1220A-23-27	- 2 3 7	1220A-27-27	- 2 3 7	1220A-33-27	- 2 3 -	1220A-37-27	- 2 3 -
1220A-7-33	- 2 3 -	1220A-13-33	- 2 3 -	1220A-17-33	- 2 3 -	1220A-23-33	- 2 3 -	1220A-27-33	- 2 3 -	1220A-33-33	- 2 3 -	1220A-37-33	- 2 3 -
1220A-7-37	- 2 3 -	1220A-13-37	- 2 3 -	1220A-17-37	- 2 3 -	1220A-23-37	- 2 3 -	1220A-27-37	- 2 3 -	1220A-33-37	- 2 3 -	1220A-37-37	- 2 3 -

1 1/8" x 23 1/2"

ITEM NO.	STEEL	ITEM NO.	STEEL	ITEM NO.	STEEL	ITEM NO.	STEEL	ITEM NO.	STEEL
1223A-13-13	2 7	1223A-17-13	2 7	1223A-23-13	2 7	1223A-27-13	2 7	1223A-33-13	2 -
1223A-13-17	2 7	1223A-17-17	2 7	1223A-23-17	2 7	1223A-27-17	2 7	1223A-33-17	2 -
1223A-13-23	2 7	1223A-17-23	2 7	1223A-23-23	2 7	1223A-27-23	2 7	1223A-33-23	2 -
1223A-13-27	2 7	1223A-17-27	2 7	1223A-23-27	2 7	1223A-27-27	2 7	1223A-33-27	2 -
1223A-13-33	2 -	1223A-17-33	2 -	1223A-23-33	2 -	1223A-27-33	2 -	1223A-33-33	2 -

1 3/8" x 15"

ITEM NO.	STEEL	ITEM NO.	STEEL	ITEM NO.	STEEL	ITEM NO.	STEEL	ITEM NO.	STEEL	ITEM NO.	STEEL	ITEM NO.	STEEL
		1315A-13-13	1 2 3 7	1315A-17-13	1 2 3 7	1315A-23-13	1 2 3 7	1315A-27-13	1 2 3 7	1315A-33-7	1 2 3 -	1315A-37-7	1 2 3 -
		1315A-13-17	1 2 3 7	1315A-17-17	1 2 3 7	1315A-23-17	1 2 3 7	1315A-27-17	1 2 3 7	1315A-33-13	1 2 3 -	1315A-37-13	1 2 3 -
		1315A-13-23	1 2 3 7	1315A-17-23	1 2 3 7	1315A-23-23	1 2 3 7	1315A-27-23	1 2 3 7	1315A-33-17	1 2 3 -	1315A-37-17	1 2 3 -
		1315A-13-27	1 2 3 7	1315A-17-27	1 2 3 7	1315A-23-27	1 2 3 7	1315A-27-27	1 2 3 7	1315A-33-23	1 2 3 -	1315A-37-23	1 2 3 -
1315A-7-33	1 2 3 -	1315A-13-33	1 2 3 -	1315A-17-33	1 2 3 -	1315A-23-33	1 2 3 -	1315A-27-33	1 2 3 -	1315A-33-27	1 2 3 -	1315A-37-27	1 2 3 -
1315A-7-37	1 2 3 -	1315A-13-37	1 2 3 -	1315A-17-37	1 2 3 -	1315A-23-37	1 2 3 -	1315A-27-37	1 2 3 -	1315A-33-33	1 2 3 -	1315A-37-33	1 2 3 -
										1315A-33-37	- 2 3 -	1315A-37-37	1 2 3 -

1 3/8" x 18"

ITEM NO.	STEEL	ITEM NO.	STEEL	ITEM NO.	STEEL	ITEM NO.	STEEL	ITEM NO.	STEEL	ITEM NO.	STEEL	ITEM NO.	STEEL
		1318A-13-13	1 2 3 7	1318A-17-13	1 2 3 7	1318A-23-13	1 2 3 7	1318A-27-7		1318A-33-7	- 2 -	1318A-37-7	- 2 -
		1318A-13-17	1 2 3 7	1318A-17-17	1 2 3 7	1318A-23-17	1 2 3 7	1318A-27-13	1 2 3 7	1318A-33-13	- 2 -	1318A-37-13	- 2 -
		1318A-13-23	1 2 3 7	1318A-17-23	1 2 3 7	1318A-23-23	1 2 3 7	1318A-27-17	1 2 3 7	1318A-33-17	- 2 -	1318A-37-17	- 2 -
		1318A-13-27	1 2 3 7	1318A-17-27	1 2 3 7	1318A-23-27	1 2 3 7	1318A-27-23	1 2 3 7	1318A-33-23	- 2 -	1318A-37-23	- 2 -
		1318A-13-33	- 2 -	1318A-17-33	- 2 -	1318A-23-33	- 2 -	1318A-27-27	1 2 3 7	1318A-33-27	- 2 -	1318A-37-27	- 2 -
1318A-7-33	- 2 -	1318A-13-33	- 2 -	1318A-17-33	- 2 -	1318A-23-33	- 2 -	1318A-27-33	- 2 -	1318A-33-33	- 2 -	1318A-37-33	- 2 -
1318A-7-37	- 2 -	1318A-13-37	- 2 -	1318A-17-37	- 2 -	1318A-23-37	- 2 -	1318A-27-37	- 2 -	1318A-33-37	- 2 -	1318A-37-37	- 2 -

1 3/8" x 20 3/4"

ITEM NO.	STEEL	ITEM NO.	STEEL	ITEM NO.	STEEL	ITEM NO.	STEEL	ITEM NO.	STEEL	ITEM NO.	STEEL	ITEM NO.	STEEL
1321A-7-7	1 2 3 7	1321A-13-7	1 2 3 7	1321A-17-7	1 2 3 7	1321A-23-7	- 2 - 7	1321A-27-7	- 2 - 7	1321A-33-7	- 2 - -	1321A-37-7	- 2 - -
1321A-7-13	1 2 3 7	1321A-13-13	1 2 3 7	1321A-17-13	1 2 3 7	1321A-23-13	- 2 - 7	1321A-27-13	- 2 - 7	1321A-33-13	- 2 - -	1321A-37-13	- 2 - -
1321A-7-17	1 2 3 7	1321A-13-17	1 2 3 7	1321A-17-17	1 2 3 7	1321A-23-17	- 2 - 7	1321A-27-17	- 2 - 7	1321A-33-17	- 2 - -	1321A-37-17	- 2 - -
						1321A-23-23	- 2 - 7	1321A-27-23	- 2 - 7	1321A-33-23	- 2 - -	1321A-37-23	- 2 - -
1321A-7-27	- 2 - 7	1321A-13-27	- 2 - 7	1321A-17-27	- 2 - 7	1321A-23-27	- 2 - 7	1321A-27-27	- 2 - 7	1321A-33-27	- 2 - -	1321A-37-27	- 2 - -
1321A-7-33	- 2 -	1321A-13-33	- 2 -	1321A-17-33	- 2 -	1321A-23-33	- 2 -	1321A-27-33	- 2 -	1321A-33-33	- 2 - -	1321A-37-33	- 2 - -
1321A-7-37	- 2 -	1321A-13-37	- 2 -	1321A-17-37	- 2 -	1321A-23-37	- 2 -	1321A-27-37	- 2 -	1321A-33-37	- 2 - -	1321A-37-37	- 2 - -

1 3/8" x 23 1/2"

ITEM NO.	STEEL	ITEM NO.	STEEL	ITEM NO.	STEEL	ITEM NO.	STEEL	ITEM NO.	STEEL
1323A-13-13	1 2 3 7	1323A-17-13	1 2 3 7	1323A-23-13	1 2 3 7	1323A-27-13	1 2 - 7	1323A-33-13	- 2 - -
1323A-13-17	1 2 3 7	1323A-17-17	1 2 3 7	1323A-23-17	1 2 3 7	1323A-27-17	1 2 - 7	1323A-33-17	- 2 - -
1323A-13-23	1 2 3 7	1323A-17-23	1 2 3 7	1323A-23-23	1 2 3 7	1323A-27-23	1 2 - 7	1323A-33-23	- 2 - -
1323A-13-27	1 2 - 7	1323A-17-27	1 2 - 7	1323A-23-27	1 2 - 7	1323A-27-27	1 2 - 7	1323A-33-27	- 2 - -
1323A-13-33	- 2 -	1323A-17-33	- 2 -	1323A-23-33	- 2 -	1323A-27-33	- 2 -	1323A-33-33	- 2 - -

*Three-day shipment for D-M-E #1, #2 and #3 steel types. Four-day shipment for D-M-E #7 stainless steel.

****Key for Ordering B-Series, Retainer Sets and Mold Plates:**

- For B-Series Mold Bases:** Replace "A" in item number with "B" (minimum "A" plate in "B" series mold base is 1-7/8; minimum "B" plate is 7/8). Example: 88B-23-13
- For Cavity Retainer Sets:** Delete "A" from item number shown. Example: 88-23-13
- For Finish Ground Mold Plates:** Delete "A" and indicate plate thickness. Example: 88-23
- For Rotary Ground Mold Plates:** Delete "A" and indicate plate thickness plus "RGM." Example: 88-23RGM
- Plate Thickness Codes:** 7 = 7/8, 13 = 1-3/8, 27 = 2-7/8, etc.

Three-Day Shipments

A-Series Mold Bases

(B-Series, Retainer Sets, Mold Plates)**

13³/₈ x 26"

ITEM NO.	STEEL	ITEM NO.	STEEL	ITEM NO.	STEEL
1326A-13-13	2 7	1326A-17-13	2 7	1326A-23-13	2 7
1326A-13-17	2 7	1326A-17-17	2 7	1326A-23-17	2 7
1326A-13-23	2 7	1326A-17-23	2 7	1326A-23-23	2 7

NOTE: Item numbers printed in blue indicate A-Series Mold Bases available same day in at least one D-M-E steel type shown (see page 24).

14⁷/₈ x 17⁷/₈

ITEM NO.	STEEL	ITEM NO.	STEEL	ITEM NO.	STEEL	ITEM NO.	STEEL	ITEM NO.	STEEL	ITEM NO.	STEEL	ITEM NO.	STEEL
1518A-7-7	1 2 3 7	1518A-13-7	1 2 3 7	1518A-17-7	1 2 3 7	1518A-23-7	1 2 3 7	1518A-27-7	- 2 3 7	1518A-33-7	- 2 3 -	1518A-37-7	- 2 - -
1518A-7-13	1 2 3 7	1518A-13-13	1 2 3 7	1518A-17-13	1 2 3 7	1518A-23-13	1 2 3 7	1518A-27-13	- 2 3 7	1518A-33-13	- 2 3 -	1518A-37-13	- 2 - -
1518A-7-17	1 2 3 7	1518A-13-17	1 2 3 7	1518A-17-17	1 2 3 7	1518A-23-17	1 2 3 7	1518A-27-17	- 2 3 7	1518A-33-17	- 2 3 -	1518A-37-17	- 2 - -
1518A-7-23	1 2 3 7	1518A-13-23	1 2 3 7	1518A-17-23	1 2 3 7	1518A-23-23	1 2 3 7	1518A-27-23	- 2 3 7	1518A-33-23	- 2 3 -	1518A-37-23	- 2 - -
1518A-7-27	- 2 3 7	1518A-13-27	- 2 3 7	1518A-17-27	- 2 3 7	1518A-23-27	- 2 3 7	1518A-27-27	- 2 3 7	1518A-33-27	- 2 3 -	1518A-37-27	- 2 - -
1518A-7-33	- 2 3 -	1518A-13-33	- 2 3 -	1518A-17-33	- 2 3 -	1518A-23-33	- 2 3 -	1518A-27-33	- 2 3 -	1518A-33-33	- 2 3 -	1518A-37-33	- 2 - -
1518A-7-37	- 2 - -	1518A-13-37	- 2 - -	1518A-17-37	- 2 - -	1518A-23-37	- 2 - -	1518A-27-37	- 2 - -	1518A-33-37	- 2 - -	1518A-37-37	- 2 - -

14⁷/₈ x 23³/₄

ITEM NO.	STEEL	ITEM NO.	STEEL	ITEM NO.	STEEL	ITEM NO.	STEEL	ITEM NO.	STEEL	ITEM NO.	STEEL
1524A-13-13	1 2 7	1524A-17-13	1 2 7	1524A-23-13	1 2 7	1524A-27-13	- 2 7	1524A-33-13	- 2 -	1524A-37-13	- 2 -
1524A-13-17	1 2 7	1524A-17-17	1 2 7	1524A-23-17	- 2 7	1524A-27-17	- 2 7	1524A-33-17	- 2 -	1524A-37-17	- 2 -
1524A-13-23	1 2 7	1524A-17-23	1 2 7	1524A-23-23	1 2 7	1524A-27-23	- 2 7	1524A-33-23	- 2 -	1524A-37-23	- 2 -
1524A-13-27	- 2 7	1524A-17-27	- 2 7	1524A-23-27	- 2 7	1524A-27-27	- 2 7	1524A-33-27	- 2 -	1524A-37-27	- 2 -
1524A-13-33	- 2 -	1524A-17-33	- 2 -	1524A-23-33	- 2 -	1524A-27-33	- 2 -	1524A-33-33	- 2 -	1524A-37-33	- 2 -
1524A-13-37	- 2 -	1524A-17-37	- 2 -	1524A-23-37	- 2 -					1524A-37-37	- 2 -

15⁷/₈ x 16"

ITEM NO.	STEEL	ITEM NO.	STEEL	ITEM NO.	STEEL	ITEM NO.	STEEL	ITEM NO.	STEEL	ITEM NO.	STEEL
1616A-7-7	1 2 7	1616A-13-7	1 2 7	1616A-17-7	1 2 7	1616A-23-7	1 2 7	1616A-27-7	1 2 7	1616A-33-7	- 2 -
1616A-7-13	1 2 7	1616A-13-13	1 2 7	1616A-17-13	1 2 7	1616A-23-13	1 2 7	1616A-27-13	1 2 7	1616A-33-13	- 2 -
1616A-7-17	1 2 7	1616A-13-17	1 2 7	1616A-17-17	1 2 7	1616A-23-17	1 2 7	1616A-27-17	1 2 7	1616A-33-17	- 2 -
1616A-7-23	1 2 7	1616A-13-23	1 2 7	1616A-17-23	1 2 7	1616A-23-23	1 2 7	1616A-27-23	1 2 7	1616A-33-23	- 2 -
1616A-7-27	1 2 7	1616A-13-27	1 2 7	1616A-17-27	1 2 7	1616A-23-27	1 2 7	1616A-27-27	1 2 7	1616A-33-27	- 2 -
1616A-7-33	- 2 -	1616A-13-33	1 2 -	1616A-17-33	1 2 -	1616A-23-33	1 2 -	1616A-27-33	1 2 -	1616A-33-33	- 2 -

15⁷/₈ x 20"

ITEM NO.	STEEL	ITEM NO.	STEEL	ITEM NO.	STEEL	ITEM NO.	STEEL	ITEM NO.	STEEL	ITEM NO.	STEEL	ITEM NO.	STEEL
1620A-7-7	1 2 7	1620A-13-7	1 2 7	1620A-17-7	1 2 7	1620A-23-7	1 2 7	1620A-27-7	1 2 7	1620A-33-7	- 2 -	1620A-37-7	- 2 -
1620A-7-13	1 2 7	1620A-13-13	1 2 7	1620A-17-13	1 2 7	1620A-23-13	1 2 7	1620A-27-13	1 2 7	1620A-33-13	- 2 -	1620A-37-13	- 2 -
1620A-7-17	1 2 7	1620A-13-17	1 2 7	1620A-17-17	1 2 7	1620A-23-17	1 2 7	1620A-27-17	1 2 7	1620A-33-17	- 2 -	1620A-37-17	- 2 -
1620A-7-23	1 2 7	1620A-13-23	1 2 7	1620A-17-23	1 2 7	1620A-23-23	1 2 7	1620A-27-23	1 2 7	1620A-33-23	- 2 -	1620A-37-23	- 2 -
1620A-7-27	1 2 7	1620A-13-27	1 2 7	1620A-17-27	1 2 7	1620A-23-27	1 2 7	1620A-27-27	1 2 7	1620A-33-27	- 2 -		
1620A-7-33	- 2 -	1620A-13-33	- 2 -	1620A-17-33	- 2 -	1620A-23-33	- 2 -	1620A-27-33	- 2 -	1620A-33-33	- 2 -	1620A-37-33	- 2 -
1620A-7-37	- 2 -	1620A-13-37	- 2 -	1620A-17-37	- 2 -	1620A-23-37	- 2 -					1620A-37-37	- 2 -

15⁷/₈ x 23¹/₂

ITEM NO.	STEEL	ITEM NO.	STEEL	ITEM NO.	STEEL	ITEM NO.	STEEL	ITEM NO.	STEEL	ITEM NO.	STEEL
1623A-13-13	1 2 7	1623A-17-13	1 2 7	1623A-23-13	1 2 7	1623A-27-13	- 2 7	1623A-33-13	- 2 -	1623A-37-13	- 2 -
1623A-13-17	1 2 7	1623A-17-17	1 2 7	1623A-23-17	1 2 7	1623A-27-17	- 2 7	1623A-33-17	- 2 -	1623A-37-17	- 2 -
1623A-13-23	1 2 7	1623A-17-23	1 2 7	1623A-23-23	1 2 7	1623A-27-23	- 2 7	1623A-33-23	- 2 -	1623A-37-23	- 2 -
1623A-13-27	- 2 7	1623A-17-27	- 2 7	1623A-23-27	- 2 7	1623A-27-27	- 2 7	1623A-33-27	- 2 -	1623A-37-33	- 2 -
1623A-13-33	- 2 -	1623A-17-33	- 2 -	1623A-23-33	- 2 -	1623A-27-33	- 2 -	1623A-33-33	- 2 -	1623A-37-37	- 2 -
1623A-13-37	- 2 -	1623A-17-37	1 2 -	1623A-23-37	- 2 -						

*Three-day shipment for D-M-E #1, #2 and #3 steel types. Four-day shipment for D-M-E #7 stainless steel.

****Key for Ordering B-Series, Retainer Sets and Mold Plates:**

- For B-Series Mold Bases:** Replace "A" in item number with "B" (minimum "A" plate in "B" series mold base is 1-7/8; minimum "B" plate is 7/8). Example: 88B-23-13
- For Cavity Retainer Sets:** Delete "A" from item number shown. Example: 88-23-13
- For Finish Ground Mold Plates:** Delete "A" and indicate plate thickness. Example: 88-23
- For Rotary Ground Mold Plates:** Delete "A" and indicate plate thickness plus "RGM." Example: 88-23RGM
- Plate Thickness Codes:** 7 = 7/8, 13 = 1-3/8, 27 = 2-7/8, etc.

Three-Day Shipments

A-Series Mold Bases

(B-Series, Retainer Sets, Mold Plates)**

17⁷/₈ x 18"

ITEM NO.	STEEL	ITEM NO.	STEEL	ITEM NO.	STEEL	ITEM NO.	STEEL	ITEM NO.	STEEL
1818A-13-13	1 2 7	1818A-17-13	1 2 7	1818A-23-13	1 2 7	1818A-27-13	- 2 7	1818A-33-13	- 2 -
1818A-13-17	1 2 7	1818A-17-17	1 2 7	1818A-23-17	1 2 7	1818A-27-17	- 2 7	1818A-33-17	- 2 -
1818A-13-23	1 2 7	1818A-17-23	1 2 7	1818A-23-23	1 2 7	1818A-27-23	- 2 7	1818A-33-23	- 2 -
1818A-13-27	- 2 7	1818A-17-27	- 2 7	1818A-23-27	- 2 7	1818A-27-27	- 2 7	1818A-33-27	- 2 -
1818A-13-33	- 2 -	1818A-17-33	- 2 -	1818A-23-33	- 2 -	1818A-27-33	- 2 -	1818A-33-33	- 2 -

17⁷/₈ x 20"

ITEM NO.	STEEL	ITEM NO.	STEEL	ITEM NO.	STEEL	ITEM NO.	STEEL	ITEM NO.	STEEL	ITEM NO.	STEEL
1820A-13-7	2 7										
1820A-13-13	2 7	1820A-17-13	2 7	1820A-23-13	2 7	1820A-27-13	2 7	1820A-33-13	2 -	1820A-37-13	2 -
1820A-13-17	2 7	1820A-17-17	2 7	1820A-23-17	2 7	1820A-27-17	2 7	1820A-33-17	2 -	1820A-37-17	2 -
1820A-13-23	2 7	1820A-17-23	2 7	1820A-23-23	2 7	1820A-27-23	2 7	1820A-33-23	2 -	1820A-37-23	2 -
1820A-13-27	2 7	1820A-17-27	2 7	1820A-23-27	2 7	1820A-27-27	2 7	1820A-33-27	2 -		
1820A-13-33	2 -	1820A-17-33	2 -	1820A-23-33	2 -	1820A-27-33	2 -	1820A-33-33	2 -	1820A-37-33	2 -
1820A-13-37	2 -	1820A-17-37	2 -	1820A-23-37	2 -					1820A-37-37	2 -

17⁷/₈ x 23¹/₂"

ITEM NO.	STEEL	ITEM NO.	STEEL	ITEM NO.	STEEL	ITEM NO.	STEEL	ITEM NO.	STEEL
1823A-13-13	2 7	1823A-17-13	2 7	1823A-23-13	2 7	1823A-27-13	2 7	1823A-33-13	2 -
1823A-13-17	2 7	1823A-17-17	2 7	1823A-23-17	2 7	1823A-27-17	2 7	1823A-33-17	2 -
1823A-13-23	2 7	1823A-17-23	2 7	1823A-23-23	2 7	1823A-27-23	2 7	1823A-33-23	2 -
1823A-13-27	2 7	1823A-17-27	2 7	1823A-23-27	2 7	1823A-27-27	2 7	1823A-33-27	2 -
1823A-13-33	2 -	1823A-17-33	2 -	1823A-23-33	2 -	1823A-27-33	2 -	1823A-33-33	2 -

19¹/₂ x 23³/₄"

ITEM NO.	STEEL	ITEM NO.	STEEL	ITEM NO.	STEEL	ITEM NO.	STEEL	ITEM NO.	STEEL	ITEM NO.	STEEL
1924A-13-13	2 3 7	1924A-17-13	2 3 7	1924A-23-13	2 3 7	1924A-27-13	2 3 7	1924A-33-13	2 3 -	1924A-37-13	2 - -
1924A-13-17	2 3 7	1924A-17-17	2 3 7	1924A-23-17	2 3 7	1924A-27-17	2 3 7	1924A-33-17	2 3 -	1924A-37-17	2 - -
1924A-13-23	2 3 7	1924A-17-23	2 3 7	1924A-23-23	2 3 7	1924A-27-23	2 3 7	1924A-33-23	2 3 -	1924A-37-23	2 - -
1924A-13-27	2 3 7	1924A-17-27	2 3 7	1924A-23-27	2 3 7	1924A-27-27	2 3 7	1924A-33-27	2 3 -	1924A-37-33	2 - -
1924A-13-33	2 3 -	1924A-17-33	2 3 -	1924A-23-33	2 3 -	1924A-27-33	2 3 -	1924A-33-33	2 3 -	1924A-37-37	2 - -
1924A-13-37	2 - -	1924A-17-37	2 - -	1924A-23-37	2 - -						

*Three-day shipment for D-M-E #1, #2 and #3 steel types. Four-day shipment for D-M-E #7 stainless steel.

**Key for Ordering B-Series, Retainer Sets and Mold Plates:

For B-Series Mold Bases: Replace "A" in item number with "B" (minimum "A" plate in "B" series mold base is 1-7/8; minimum "B" plate is 7/8).
Example: 88B-23-13

For Cavity Retainer Sets: Delete "A" from item number shown. Example: 88-23-13

For Finish Ground Mold Plates: Delete "A" and indicate plate thickness. Example: 88-23

For Rotary Ground Mold Plates: Delete "A" and indicate plate thickness plus "RGM." Example: 88-23RGM

Plate Thickness Codes: 7 = 7/8, 13 = 1-3/8, 27 = 2-7/8, etc.



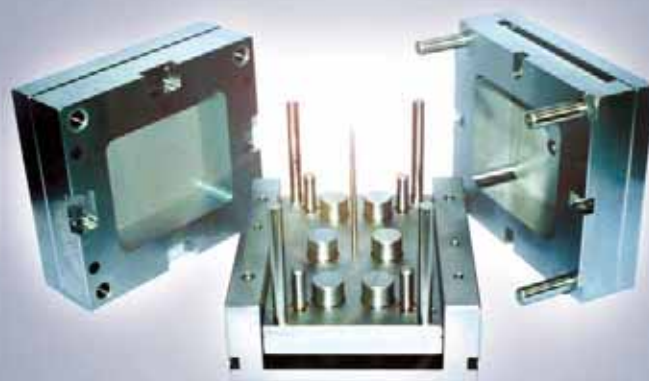
D-M-E Quick Delivery Standards

THOUSANDS OF MOLD BASE
CONFIGURATIONS READY TO
SHIP AS SOON AS TODAY!



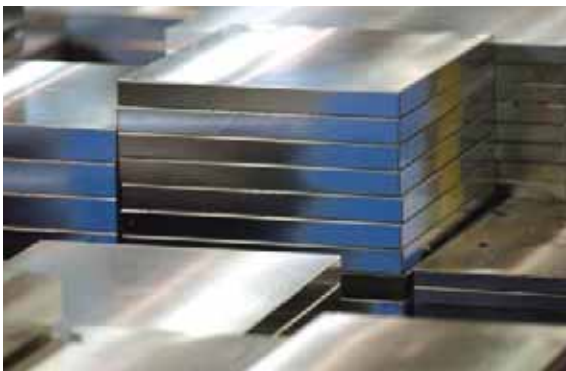
D-M-E Quick Delivery Specials

DOZENS OF MOLD BASE FEATURES
TO CHOOSE FROM IN A PROGRAM
THAT DELIVERS WITH SPEED,
QUALITY AND AFFORDABILITY



Quick Delivery Specials

Quick Delivery Specials Features



D-M-E Standard Mold Bases Included in the QDS Program

- A-Series Mold Bases
- B-Series Mold Bases
- X-Series Mold Bases
- AX-Series Mold Bases
- T-Series Mold Bases
- Cavity Retainer Sets

Steel Types and Plate Thicknesses Included

- D-M-E #1, #2 and #3 steel from $\frac{7}{8}$ " thick to $5\frac{7}{8}$ " thick
- D-M-E #7 steel from $\frac{7}{8}$ " thick to $2\frac{7}{8}$ " thick

No Charge Features

Available on all D-M-E Mold Bases and Cavity Retainer Sets

- 1-piece or 3-piece housing (standard D-M-E rails)
- Ejector housing covers
- Relocate or omit return pins
- Relocate or omit assembly screws (top and/or bottom)
- Relocate or omit assembly screws in ejector set
- Relocate or omit leader pins and bushings
- Relocate or omit center holes
- Relocate or omit stop pins in ejector bar
- Sprue puller pin of your choice
- Machining for all D-M-E sprue bushings and most clamp slots
- Machining for most locating rings

All ship dates are calculated from receipt of final customer information.

Quick Delivery Specials Features

5

5-DAY
SHIPPING

Special Mold Bases Shipping in FIVE Working Days

Includes all D-M-E Standard Mold Bases #1, #2 and #3 steel ($7/8"$ to $57/8"$ thick) and #7 steel ($7/8"$ to $27/8"$ thick); and all "no charge" items, plus:

- Machine for and install guided ejection – 2 or 4 places
- Machine for and install support pillars
- Machine for and install additional stop pins
- Machine press knock-out in bottom clamp plate (tap in ejector bar, if required)
- Machine pry bar slots
- Machine leader pin vent slots in rails
- Machine for spring holes
- Drill and tap lifting holes
- Drill and tap safety strap holes (location $\pm 1/32"$)
- Machine for and install extra assembly screws in top and/or bottom
- Machine for and install extra assembly screws in ejector assembly
- Machine for and install added return pins
- Rough mill/bore cavity and core pocket; blind or through (NOTE: $1/2"$ minimum radius required)

7

7-DAY
SHIPPING

Special Mold Bases Shipping in SEVEN Working Days

Includes all features specified above in five working days, plus:

- Machine for D-M-E three-piece extension bushings
- Drill and tap horizontal water lines
- Drill water pipe clearance holes
- Drill vertical water lines (excluding o-ring machining)
- Machine for D-M-E angle pin inserts
- Finish mill/bore cavity and core pocket; blind or through (NOTE: $1/2"$ minimum radius required)

11

11-DAY
SHIPPING

Special Mold Bases Shipping in ELEVEN Working Days

Includes all features specified above in seven working days, plus:

- Machine for D-M-E parting line interlocks
- Provide special thickness plates (maximum plate thickness of $57/8"$ in D-M-E #1, #2 and #3 steels, and $27/8"$ in D-M-E #7 steel)

Contour Roughing Services

Key Advantages of Contour Roughing

- Moldmakers can use this service to extend their in-house capacity, reduce lead time and focus on other high-value machining
- Consistent machining allowance throughout the surface of the cavity block provides even finishing without areas of heavy stock
- D-M-E can provide customers with the CAM program to continue the work where D-M-E left off, saving time and programming expense
- Contour roughing can be bundled with the option to stress-relieve cavity blocks and a custom mold base

At the request of moldmakers, D-M-E has begun to offer contour roughing services. D-M-E can rough mill complex part shapes into mold plates, even for milling that requires large and deep cavities.



- The Contour Roughing Service begins with complex core and cavity CAD files from customers
- D-M-E programs 3D cavity roughing tool paths that generate a rough milled surface, allowing machining stock for finishing by the customer
- D-M-E uses industry-leading CAM software for programming contour roughing tool paths leaving consistent machining allowance throughout the surface of the cavity block

For more details on the Contour Roughing Service, contact your D-M-E representative today.

